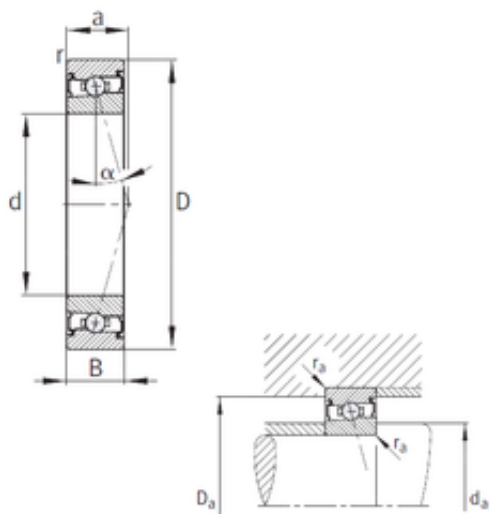




# TAIWAY Industry CO.,LTD.



10 mm x 26 mm x 8 mm FAG HCS7000-C-T-P4S angular contact ball bearings

Bearing No. HCS7000-C-T-P4S

Size	10x26x8 mm
Bore Diameter	10 mm
Outer Diameter	26 mm
Width	8 mm
d	10 mm
D	26 mm
B	8 mm
C	8 mm
Angle ( ° )	15 °
a	6 mm
r min.	0,3 mm
Da	22 mm
ra max.	0,3 mm
da	14 mm
Weight	0,02 Kg
Basic dynamic load rating (C)	1,9 kN
Basic static load rating (C0)	1,1 kN
(Grease) Lubrication Speed	90 000 r/min

HCS7000-C-T-P4S Bearing 2D drawings and 3D CAD models