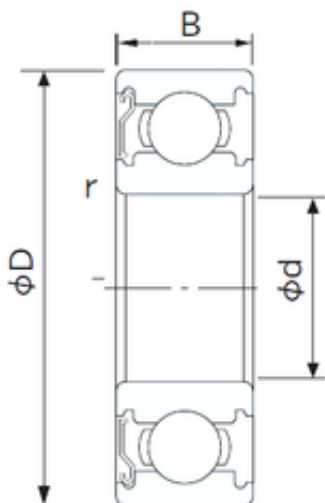




TAIWAY Industry CO.,LTD.



10 mm x 30 mm x 9 mm CYSD 6200-Z deep groove ball bearings

Bearing No. 6200-Z

Size	10x30x9 mm
Bore Diameter	10 mm
Outer Diameter	30 mm
Width	9 mm
d	10 mm
D	30 mm
B	9 mm
C	9 mm
r min.	0,6 mm
Weight	0,03 Kg
Basic dynamic load rating (C)	5,11 kN
Basic static load rating (C0)	2,39 kN
(Grease) Lubrication Speed	24000 r/min

6200-Z Bearing 2D drawings and 3D CAD models