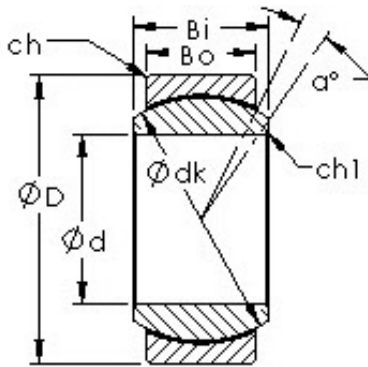




# TAIWAY Industry CO.,LTD.



## AST GEG17N plain bearings

Bearing No. GEG17N

Bore Diameter	17 mm
Outer Diameter	35 mm
Bearing Type - high mis-alignment	high misalignment
Bore Dia (d)	17.0000
Outer Dia (D)	35.0000
Outer Width (Bo)	12.0000
Inner Width (Bi)	20.0000
Dynamic Load Rating (Cr)	20,000
Static Load Rating (Cor)	31,000
Max. shaft corner radius, or 45 deg. chamfer (ch1)	0.300
Max. housing corner radius, or 45 deg. chamfer (ch)	0.300
Spherical Diameter (dk or Dk)	29.000
Mis-alignment Angle (a deg.)	19
Weight (g)	83.00
Material - Outer ring - 52100 chrome steel or equivalent with PTFE plastic liner, Inner ring	52100 chrome steel or equivalent with hard chrome plating

GEG17N Bearing 2D drawings and 3D CAD models